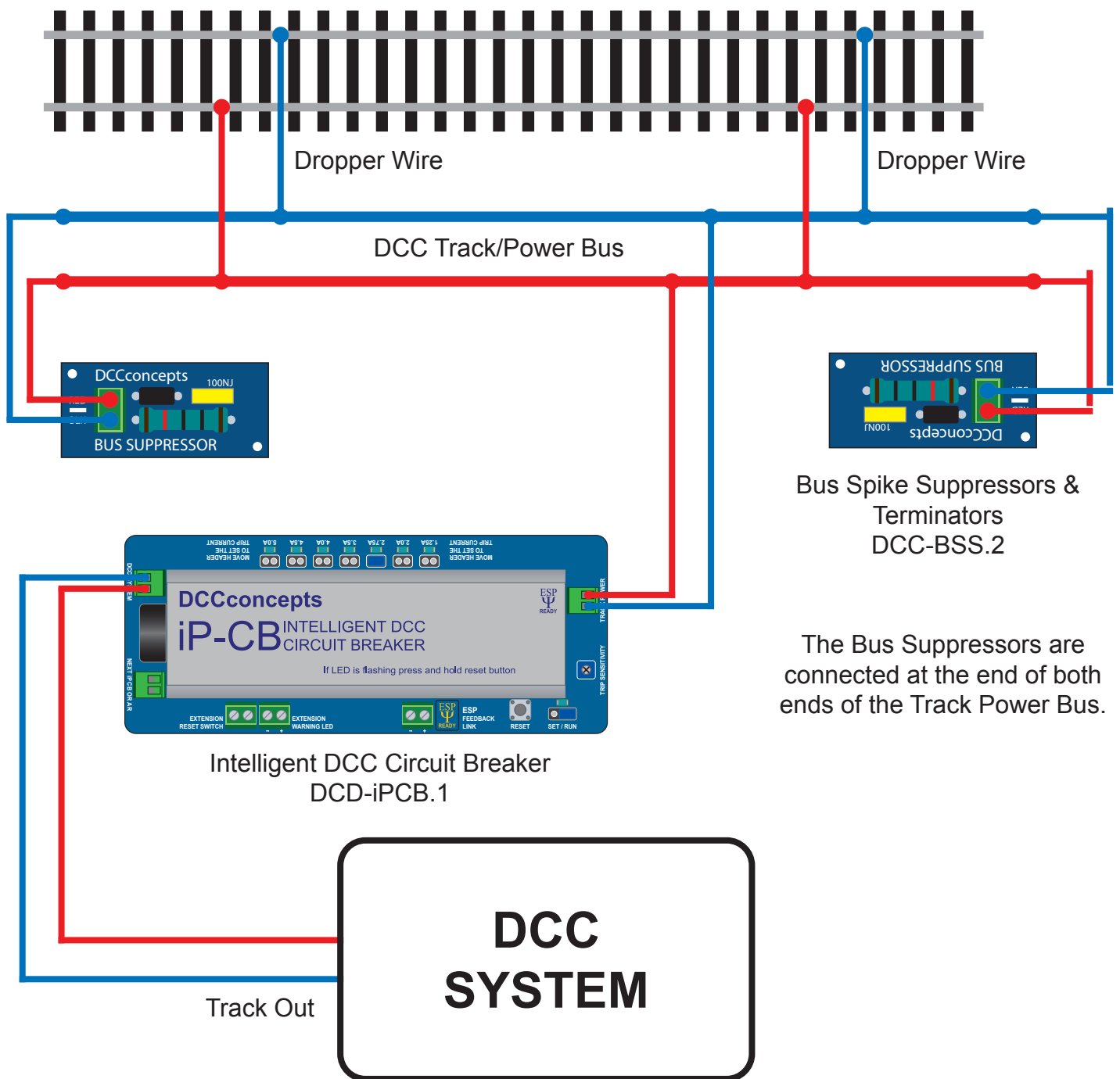


LAYOUT CONCEPTS

CONCEPTS

Connecting BSS.2 DCC Bus Suppressors & An iP-CB Intelligent Circuit Breaker



Depending on the DCC System the Track Output may be labelled different, please check with your DCC user guide.