

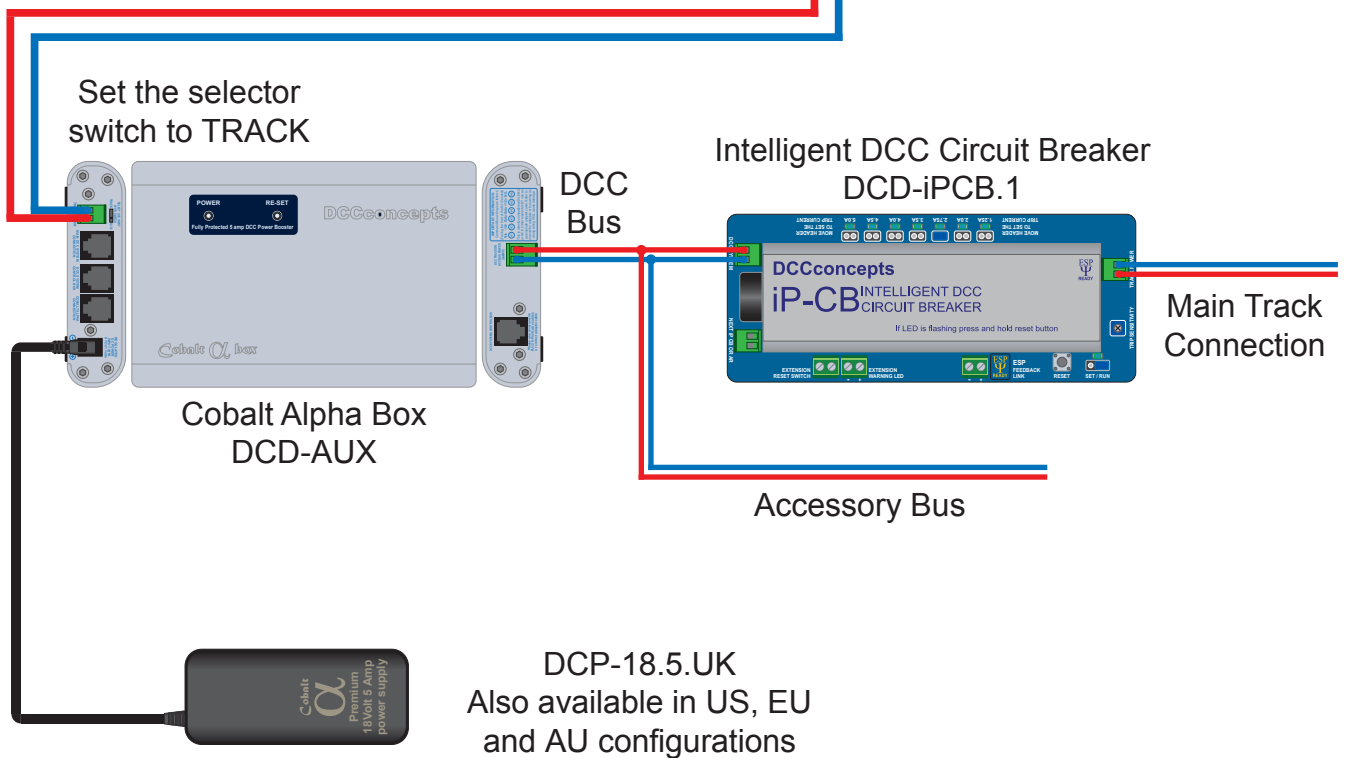
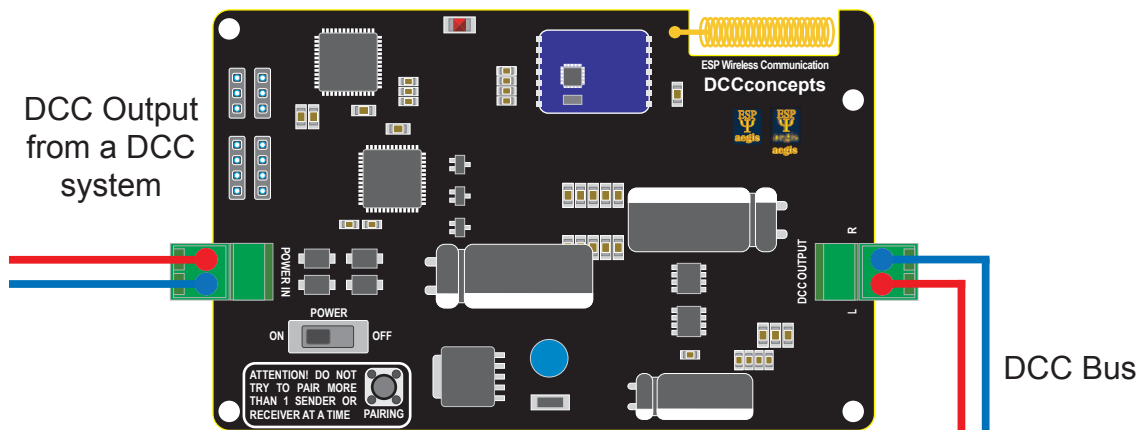
LAYOUT CONCEPTS

CONCEPTS

ESP Receiver With Alpha Box & 18V Regulated DC PSU & iP-CB Circuit Breaker With An Accessory Bus



ESP Wireless DCC Receiver Unit
DCC-ESPR.1



DCP-18.5.UK
Also available in US, EU
and AU configurations