

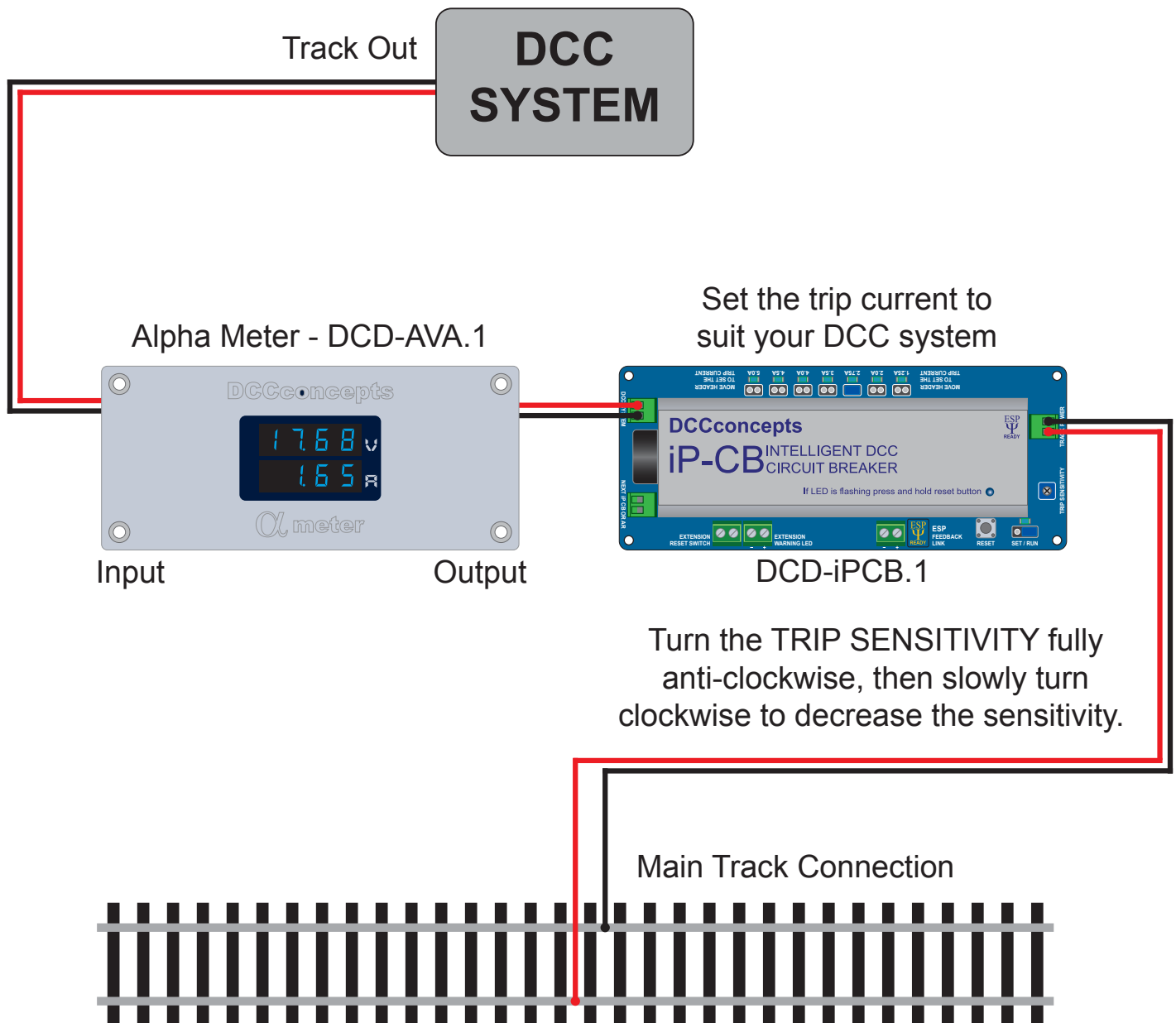
LAYOUT

CONCEPTS

iP-CB Intelligent Circuit Breaker Basic Connection

IMPORTANT

Always set the iP-CB trip current with the header to be **LOWER** than the main system maximum current output.



Set the trip current to suit your DCC system

Turn the TRIP SENSITIVITY fully anti-clockwise, then slowly turn clockwise to decrease the sensitivity.