

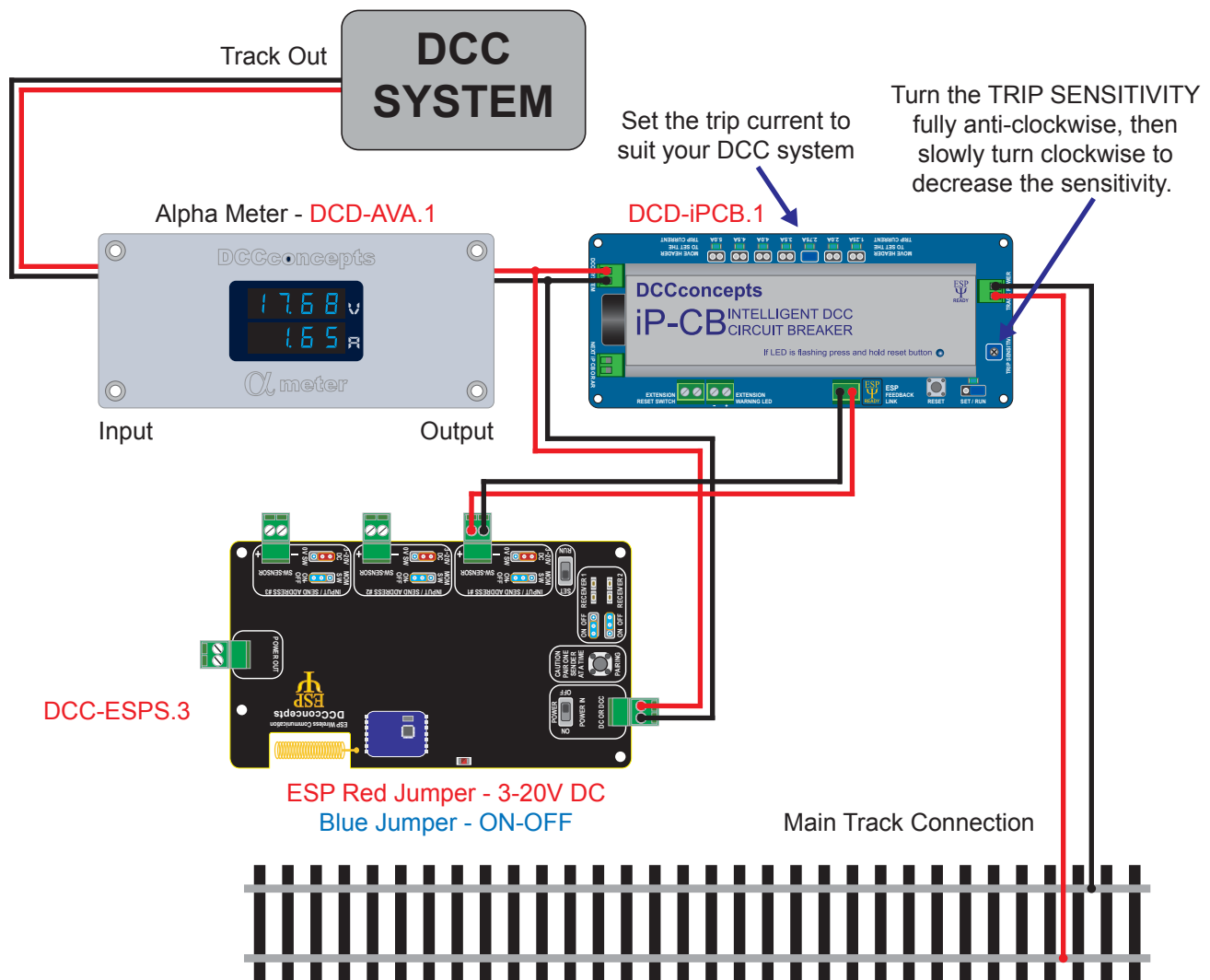
# LAYOUT

## CONCEPTS

### iP-CB Intelligent Circuit Breaker Manual Reset With ESP & LED Indication

#### IMPORTANT

Always set the iP-CB trip current with the header to be **LOWER** than the main system maximum current output.



#### Please Note

Not shown - the ESP Receiver and Alpha Mimic board in the control panel are required to show the warning LED.