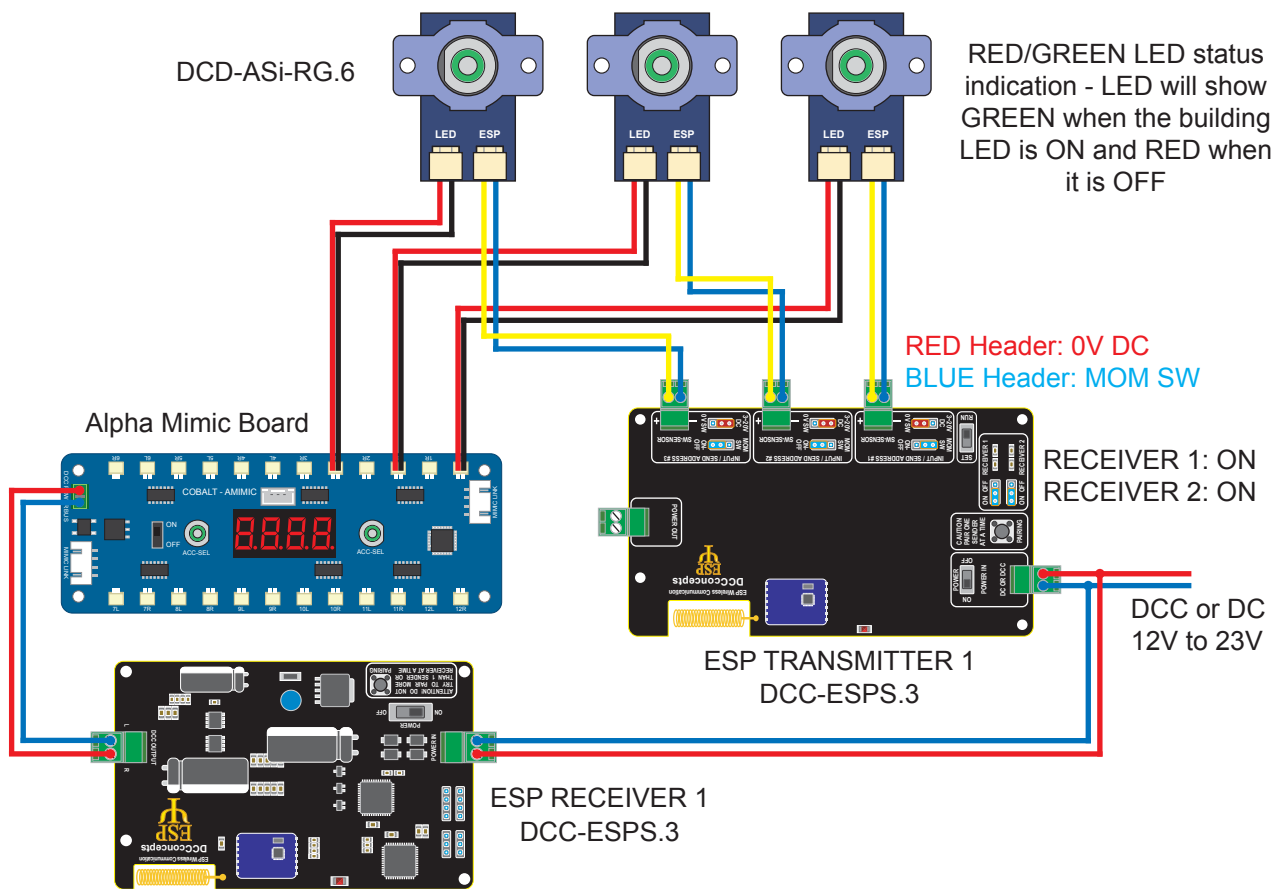


LAYOUT

CONCEPTS

Alpha Switch-I On/Off Switch For Building Lights Using ESP & Alpha Mimic



If the LEDs are on when they should be off swap the connections in the L and R sockets

