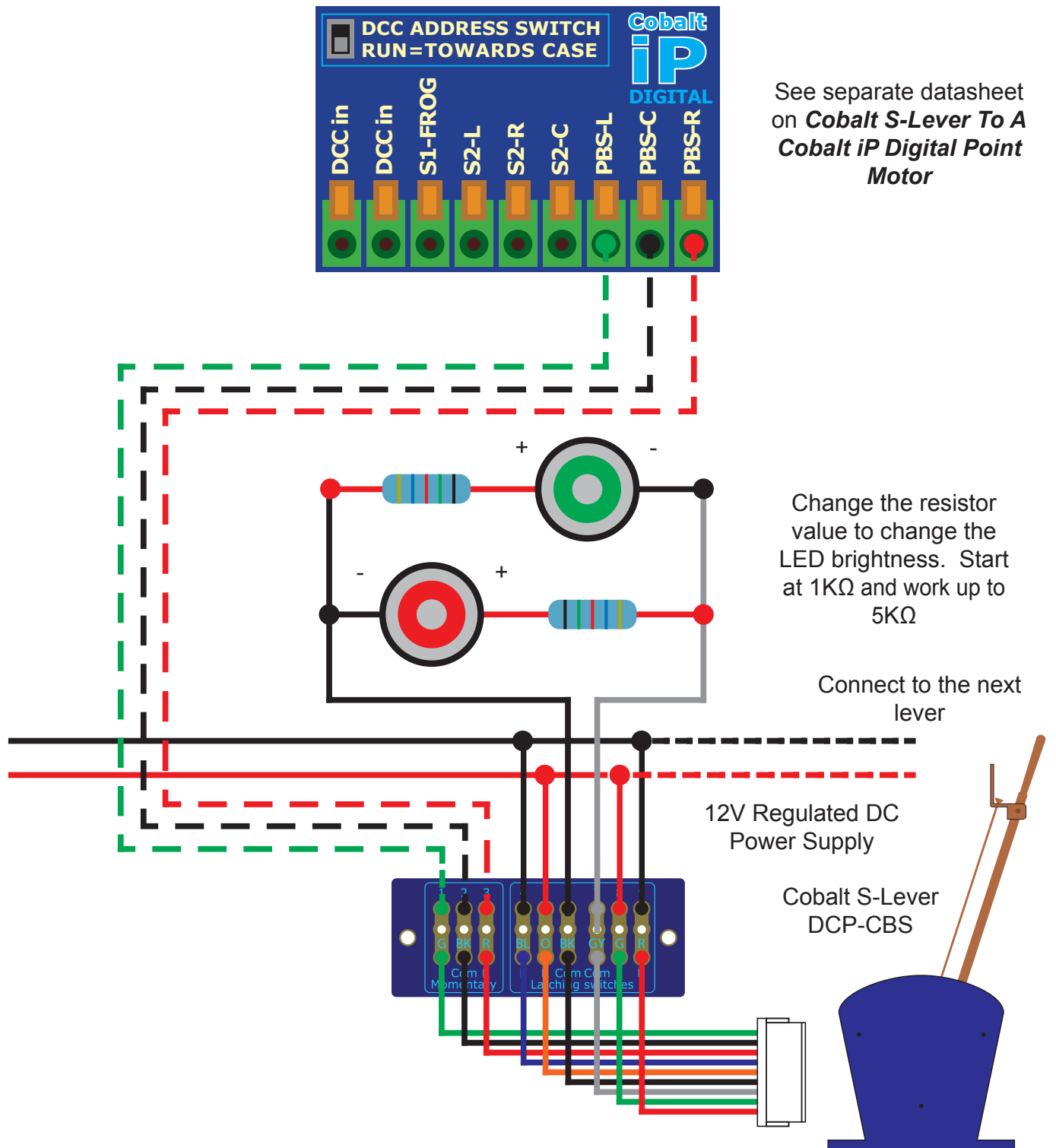


LAYOUT

CONCEPTS

Cobalt S-Lever Controlling A Cobalt iP Digital Point Motor With 2-Wire Bi-Colour LEDs



See separate datasheet on *Cobalt S-Lever To A Cobalt iP Digital Point Motor*

Change the resistor value to change the LED brightness. Start at 1KΩ and work up to 5KΩ

Connect to the next lever

12V Regulated DC Power Supply

Cobalt S-Lever DCP-CBS