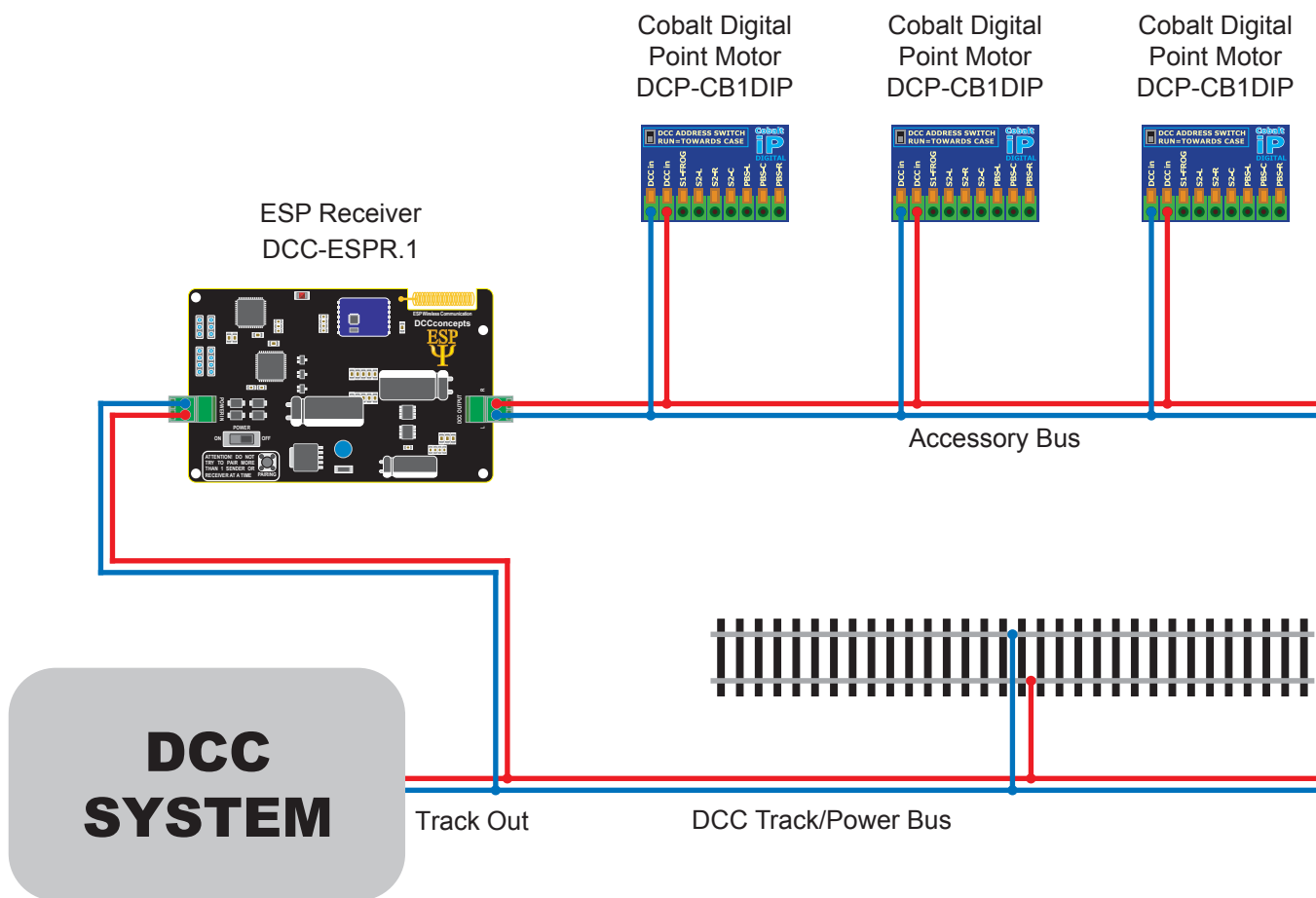


# LAYOUT

## CONCEPTS

### DCC System With ESP Receiver & Separate Track & Accessory Bus

Please note you will need to refer to the data sheet on Cobalt iP Digital Point Motor Frog Wiring From An Accessory Bus if you are using electrofrog points



Track out connection may be labelled different, please check your user manual.