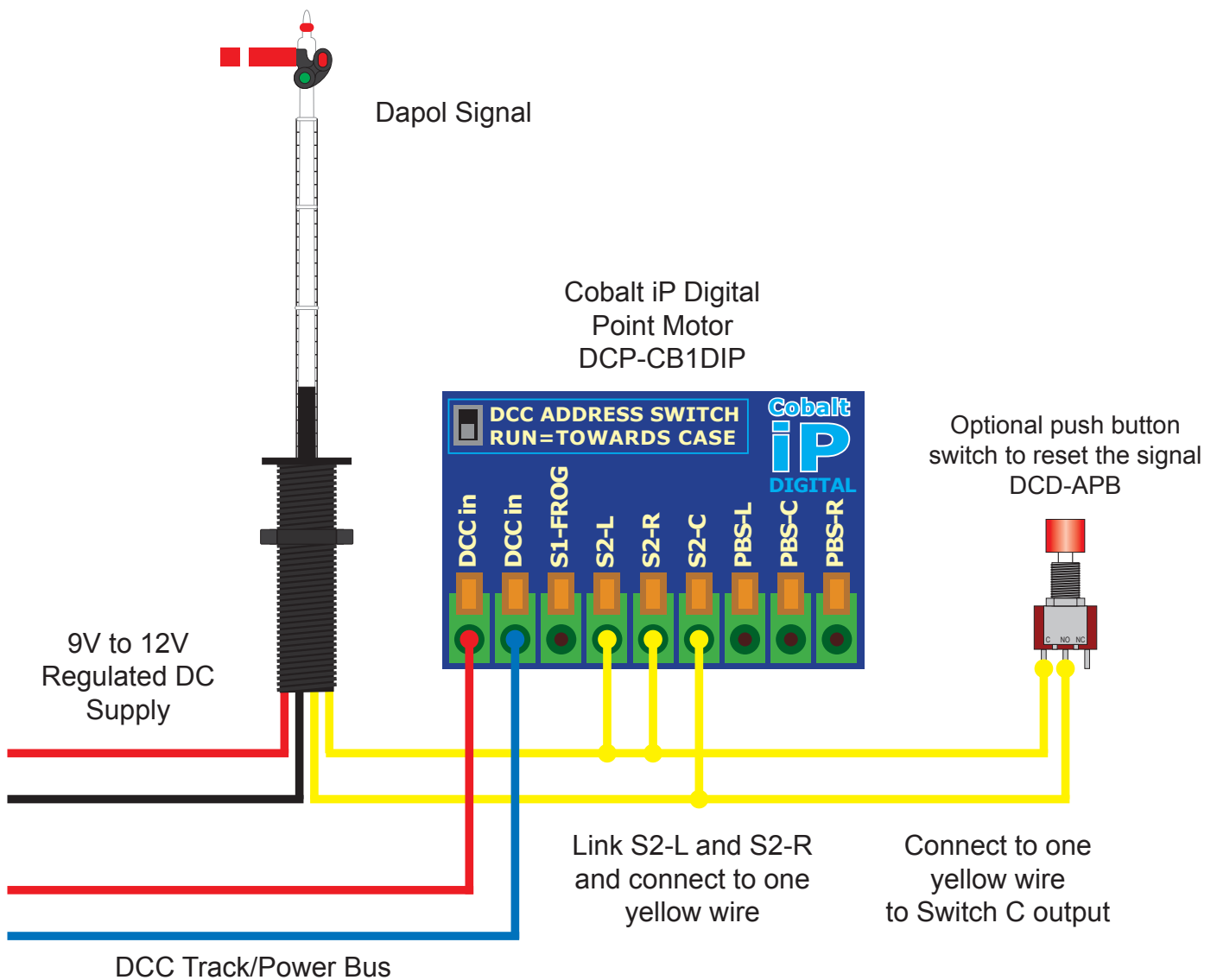


LAYOUT

CONCEPTS

Dapol Signal Controlled By Cobalt iP Digital Point Motor With Reset Switch



The Dapol signal mechanism has an unfortunate habit of getting out of sync with the point motor. The push button switch would be used to reset/re-sync the signal with the motor.