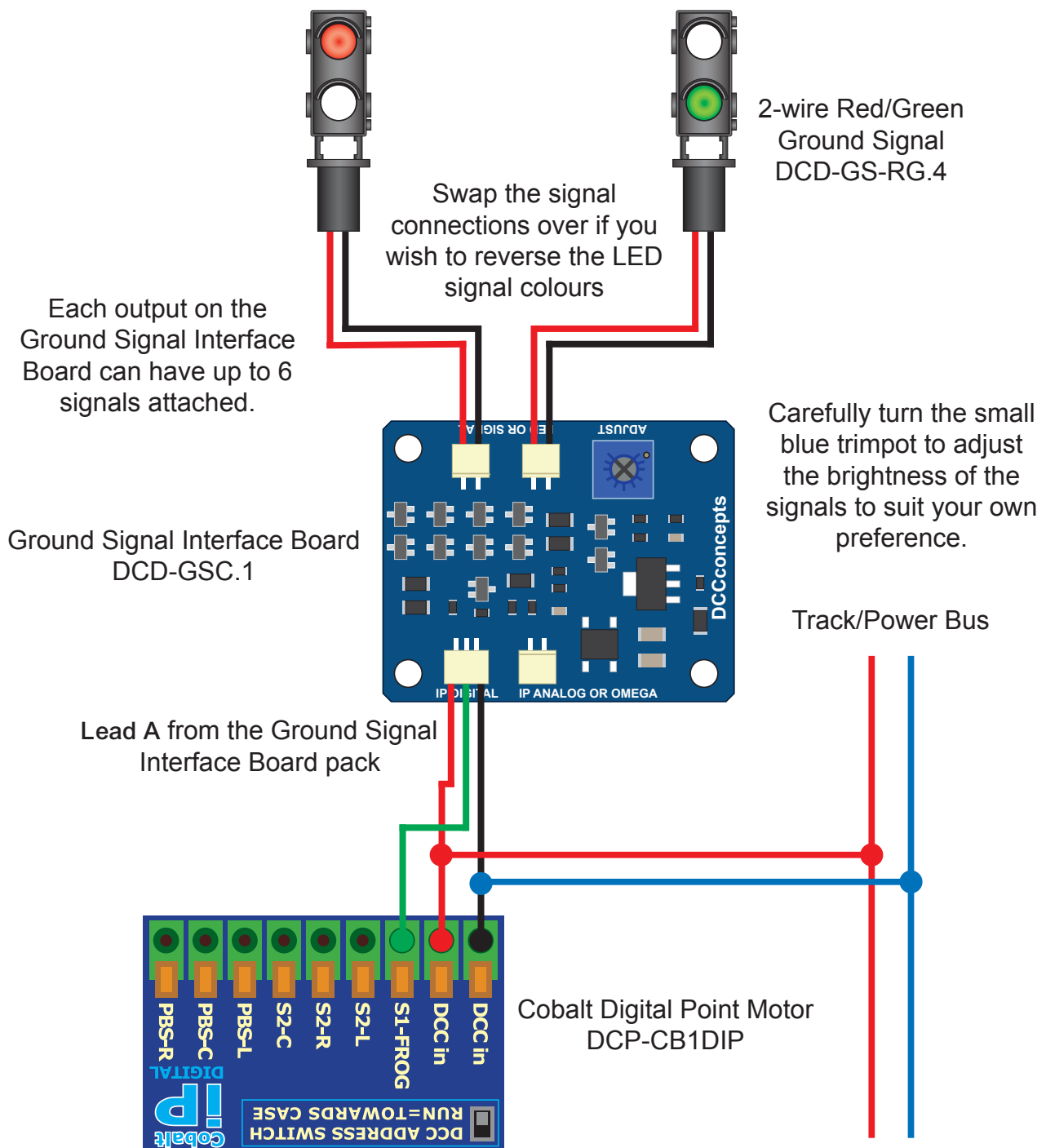


# LAYOUT

## CONCEPTS

### Ground Signal Interface Board With A Cobalt iP Digital Point Motor & Ground Signals



**NOTE - ONLY connect one point motor connection lead at any one time or you may damage the circuit board.**