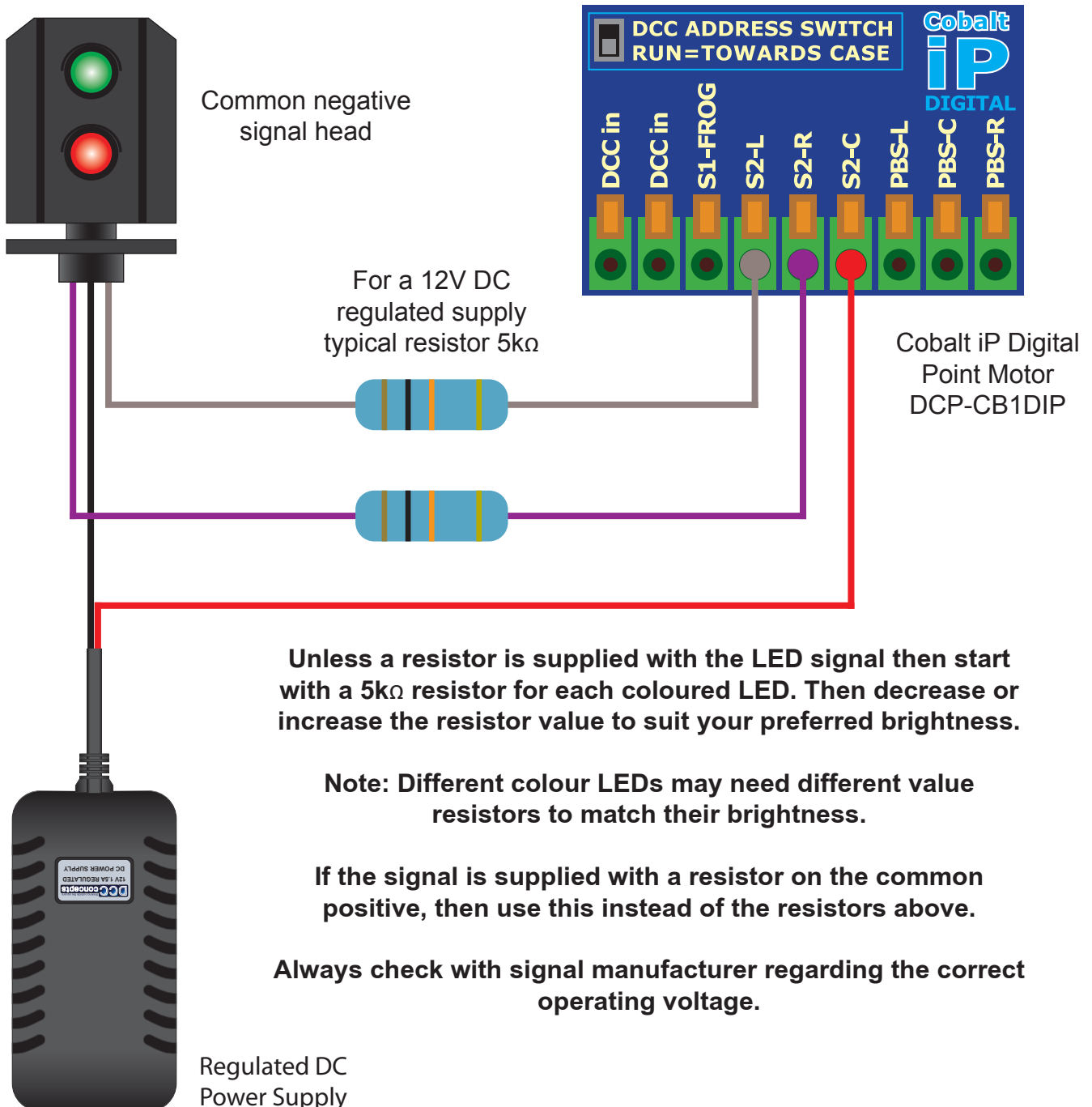


LAYOUT

CONCEPTS

Cobalt iP Digital Point Motor Controlling A 3 Wire LED Signal



Unless a resistor is supplied with the LED signal then start with a 5k Ω resistor for each coloured LED. Then decrease or increase the resistor value to suit your preferred brightness.

Note: Different colour LEDs may need different value resistors to match their brightness.

If the signal is supplied with a resistor on the common positive, then use this instead of the resistors above.

Always check with signal manufacturer regarding the correct operating voltage.