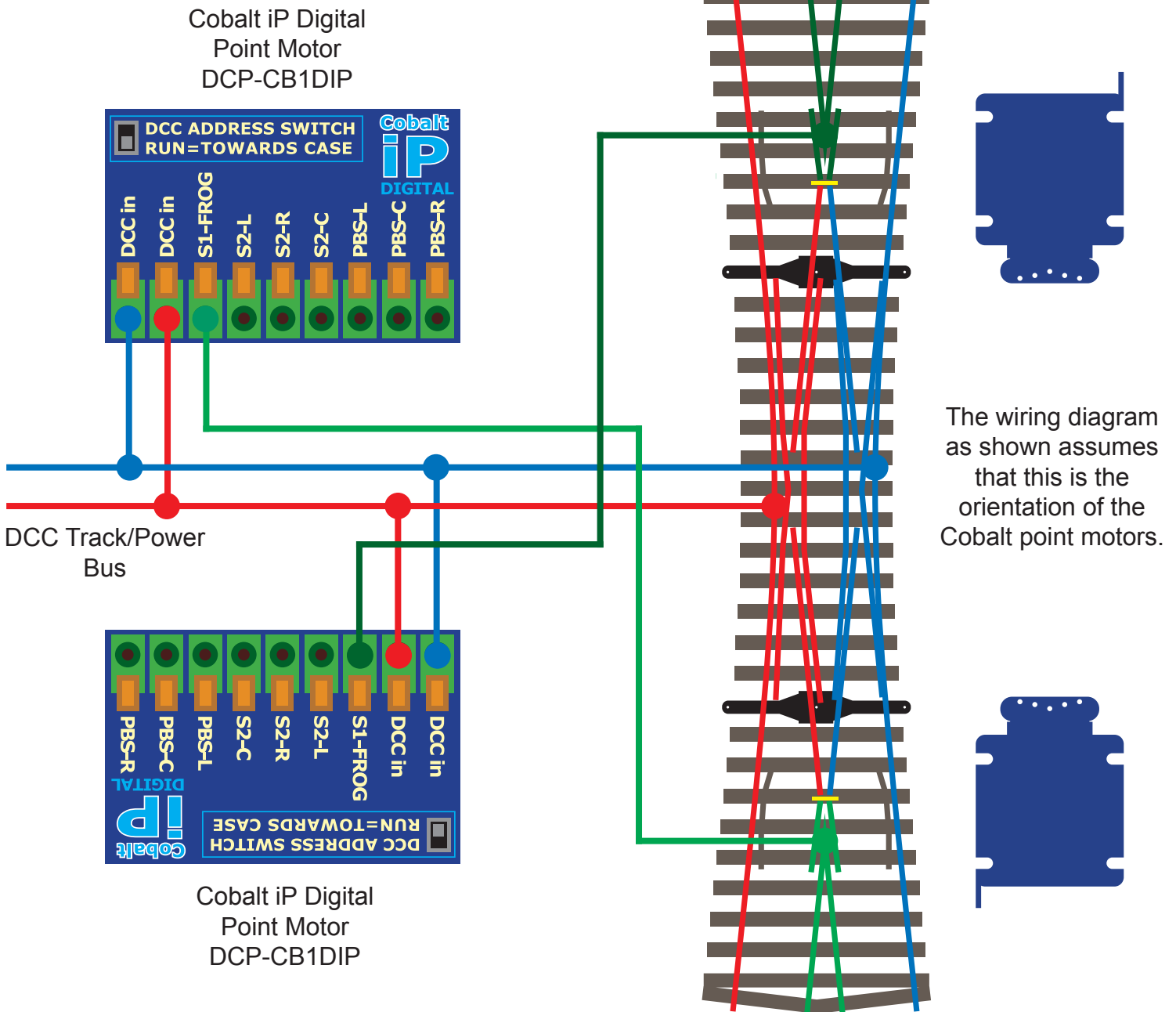


LAYOUT

CONCEPTS

Cobalt iP Digital Point Motors Frog Wiring For A Double Slip

The orientation of the Cobalts will affect the wiring. If a turnout frog shorts, swap the DCC IN wires to the motor feeding that frog. Note how the Cobalt motors feed the opposite frog.



The wiring diagram as shown assumes that this is the orientation of the Cobalt point motors.