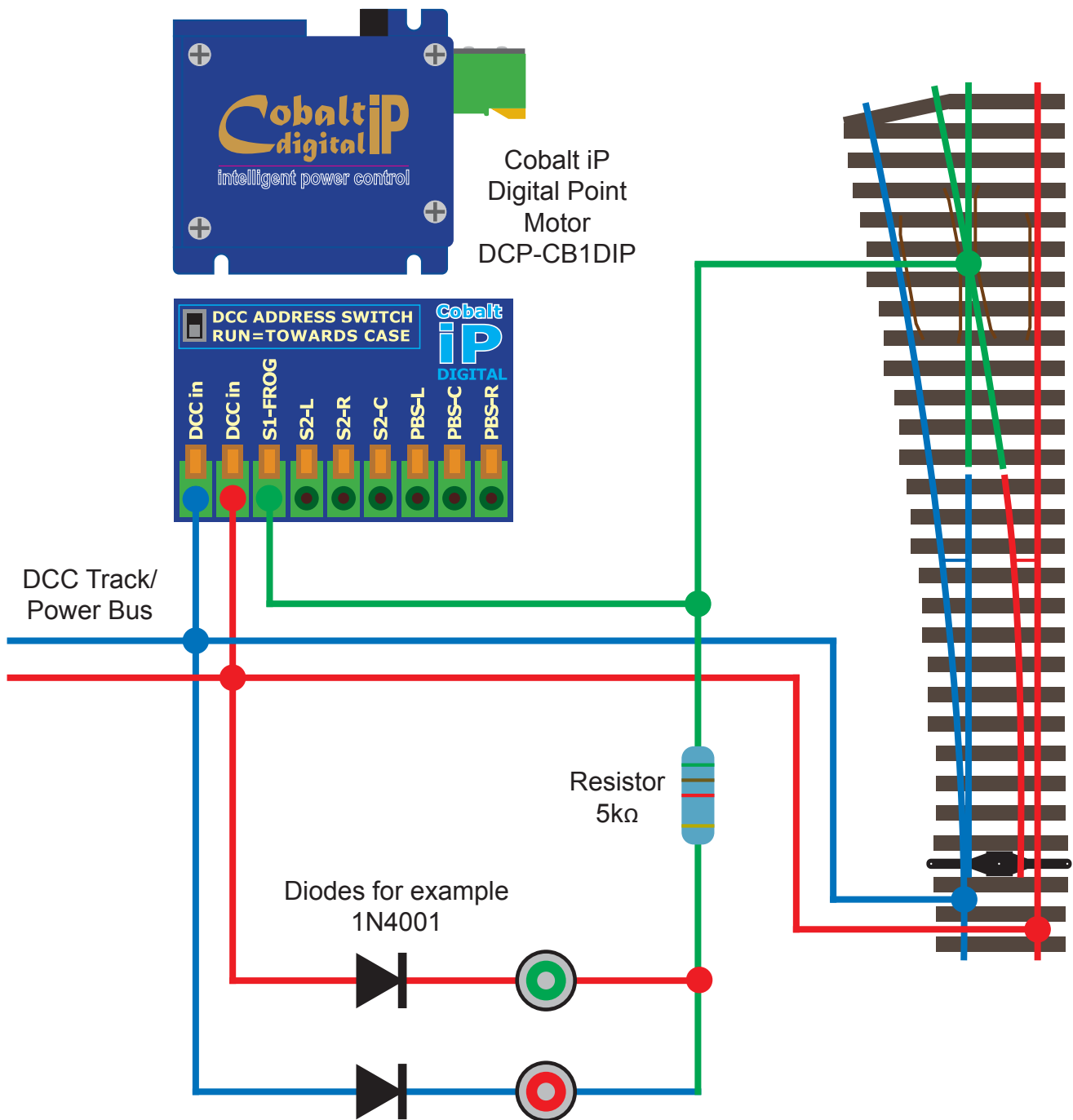


# LAYOUT

## CONCEPTS

### Wiring LEDs From The Frog Output On A Cobalt iP Digital Point Motor



LEDs do not like large voltage reversals, so the diodes support the LEDs to prevent this