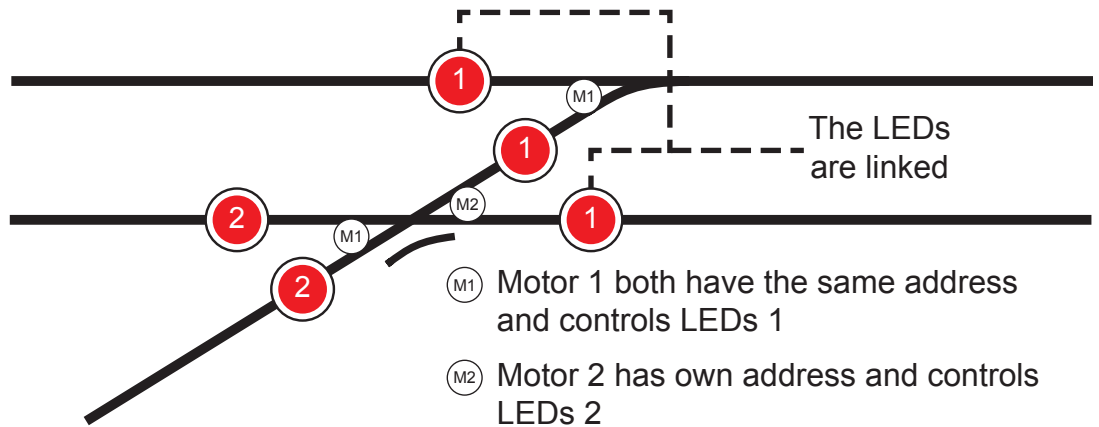


LAYOUT

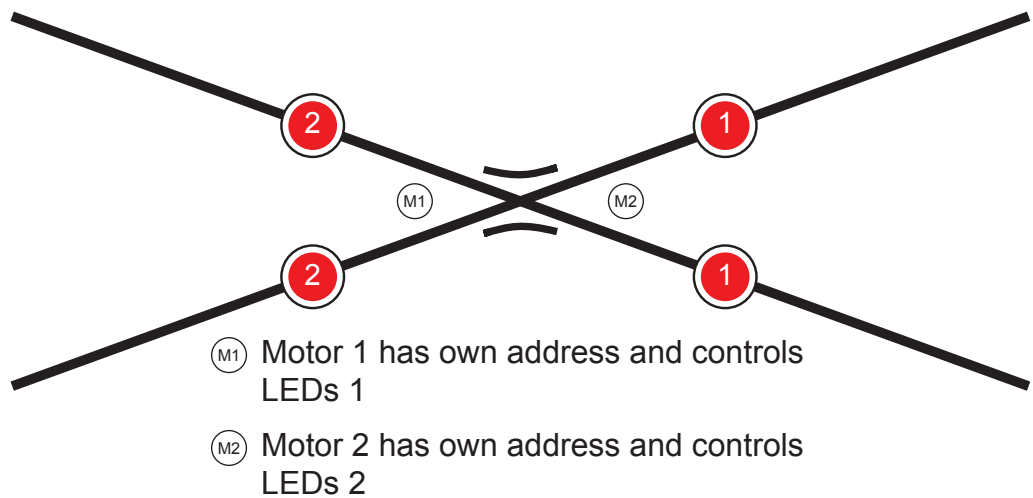
CONCEPTS

Alpha Mimic LED And Point Motor Connections For Complex Junctions - Part 1

Junction



Double Slip



Single Slip

